

# Building Information Module

## BIM



### BIM at a glance:

#### What is BIM?

**BIM** "Building Information Modeling" is a method to plan, execute and manage building projects based on a virtual building information model.

It offers a central administration of all information relevant to the project.

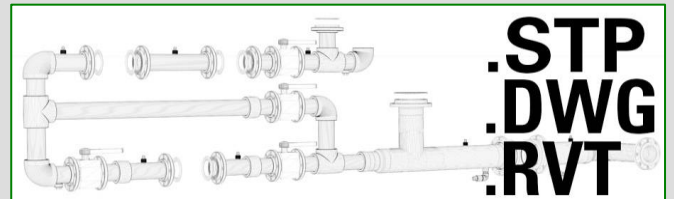
**Aquatherm** provides free **BIM** data sets to architects and specialist planners which can be downloaded under [www.aquatherm.de/BIM](http://www.aquatherm.de/BIM).

The data are available as **Revit** families for the product lines **aquatherm green pipe**, **aquatherm blue pipe** and **aquatherm lilac pipe**.

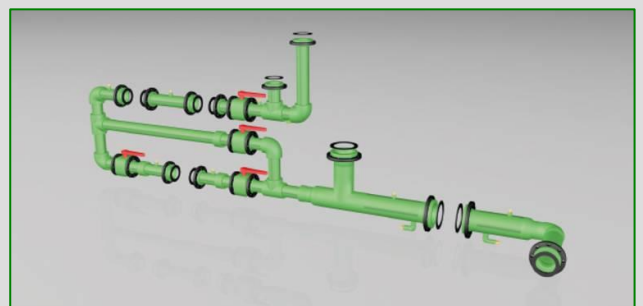
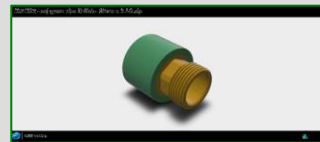
The data sets for the **aquatherm red pipe**, **aquatherm ti** and **aquatherm black system** product families will follow by the end of 2017.

In addition, the two CAD data formats **dwg** and **stp** are offered for 3D modeling.

Beside graphical 3D models, the **aquatherm Revit** families contain all necessary information to make **BIM**-capable designs: from article numbers, flow rates and analyses, volumes, dry weight and water weight to information for the static calculation of the building.



Please register to download Software and CAD Data.



#### For more information:

**Aquatherm Australia Pty Ltd**

T: (02) 9774 1172 (Sydney Office)

F: (02) 9774 3619

E: [aquatherm@aquatherm.com.au](mailto:aquatherm@aquatherm.com.au)

W: [www.aquatherm.com.au](http://www.aquatherm.com.au)

made  
in  
Germany



**aquatherm**  
state of the pipe

colours of innovation



Management  
System  
ISO 9001:2008  
ISO 14001:2004  
ISO 50001:2011  
[www.tuv.com](http://www.tuv.com)  
ID: 009100348

